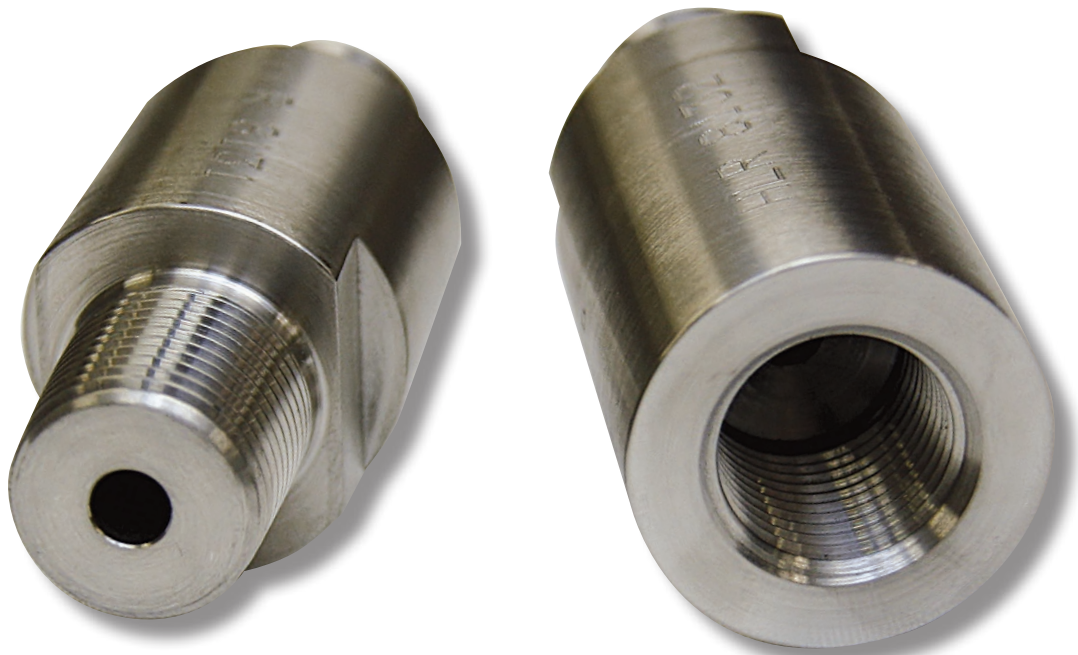


Test Nipples

HLR 8131 - 1/2" NPT MxM

HLR 8132 - 1/2" NPT MxF



HLR 8131

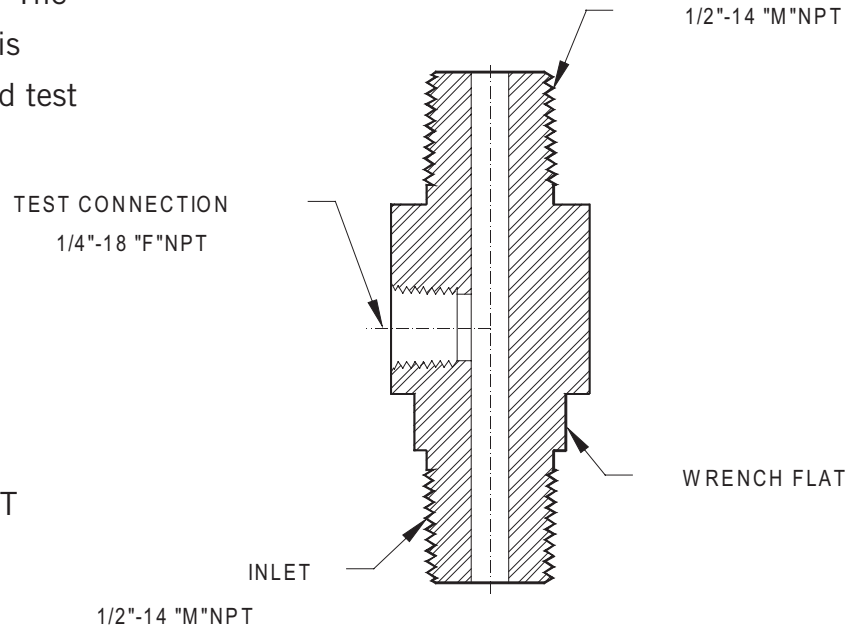
HLR 8132

HLR 8131 - Test Nipple (Male x Male Connections)

The HLR 8131 Test Nipple is utilized with a “female” base connection Pressure Sensor. The 1/4”-18 NPT connection of the Test Nipple is ideal for installing an isolation valve and field test assembly.

Features

1. Dimensions: 1.500” Dia x 3.125” L.
2. Working Pressure: 10,000 PSI
3. Connections: 1/2” - 14 “MxM” NPT
Test Port - 1/4”- 18 “F”NPT
4. Weight: 1 lb.
5. Material: 316 Stainless Steel

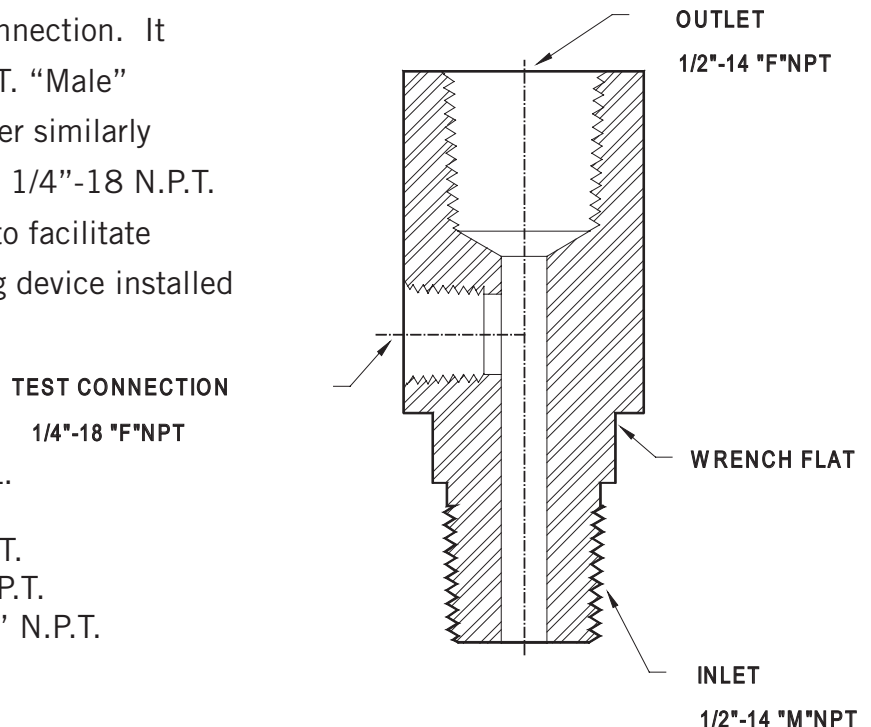


HLR 8132 - Test Nipple (Male x Female Connections)

The HLR 8132 Test Nipple has a 1/2”-14 N.P.T. Male and a 1/2”-14 N.P.T. “Female” connection. It is generally utilized with a 1/2”-14 N.P.T. “Male” connection Pressure Sensor or some other similarly configured pressure receiving control. A 1/4”-18 N.P.T. connection serves as a “test port” inlet to facilitate periodic testing of the pressure receiving device installed at one end of the Test Nipple.

Features

1. Dimensions: 1.500” Dia x 3.125” L.
2. Working Pressure: 10,000 PSI.
3. Connections: Inlet-1/2”-14”M” N.P.T.
Outlet-1/2”-14 “F” N.P.T.
Test Port-1/4” - 18 “F” N.P.T.
4. Weight: 1 lb.
5. Material: 316 Stainless Steel.



Optional Models

HLR 8132-5.000 1/2” NPT MxF, 5” OAL